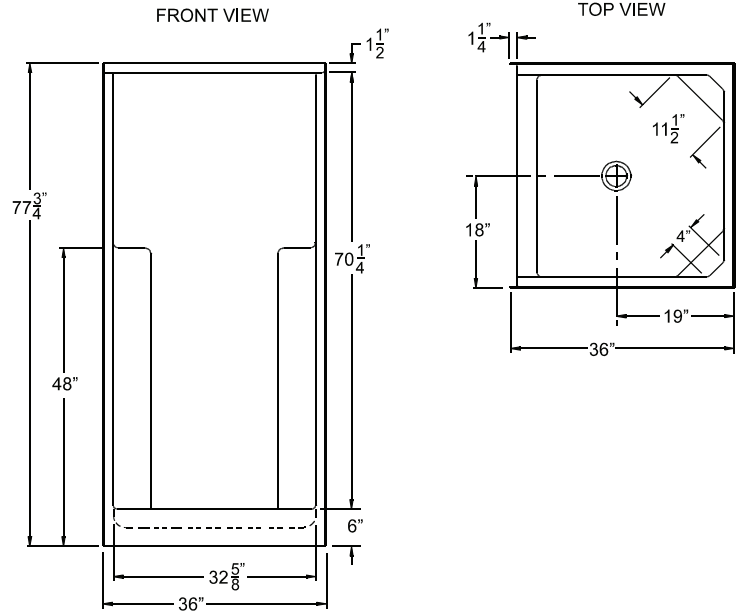




# G 3679 SH

36" x 36" x 77.75"

Enclosure: up to 32.625" x 69.375"



## FEATURES

| FINISH                  | PRODUCT | PIECES | WALL   |
|-------------------------|---------|--------|--------|
| AcryIX™ Applied Acrylic | Shower  | One    | Smooth |

*Due to the nature of the materials, dimensions may vary +/- 0.5".*

## OPTIONS

| WHIRLPOOL | AcryIX™ COLORS       | SOLID SURFACE COLORS | ACCESSORIES |
|-----------|----------------------|----------------------|-------------|
| N/A       | White, Bone, Biscuit | Solids or Naturals   | Drain       |

## TECHNICAL INFORMATION

| WT  | LOAD FACTOR | HANDED BY    | CODES           |
|-----|-------------|--------------|-----------------|
| 105 | 1           | Center Drain | ANSI I24.1, UPC |

## WARRANTY

AcryIX™ Applied Acrylic - Lifetime Limited  
 Solid Surface - 10 Year Limited

## AVAILABILITY

| NORTHEAST | MID / SOUTH |
|-----------|-------------|
| Standard  | Standard    |

